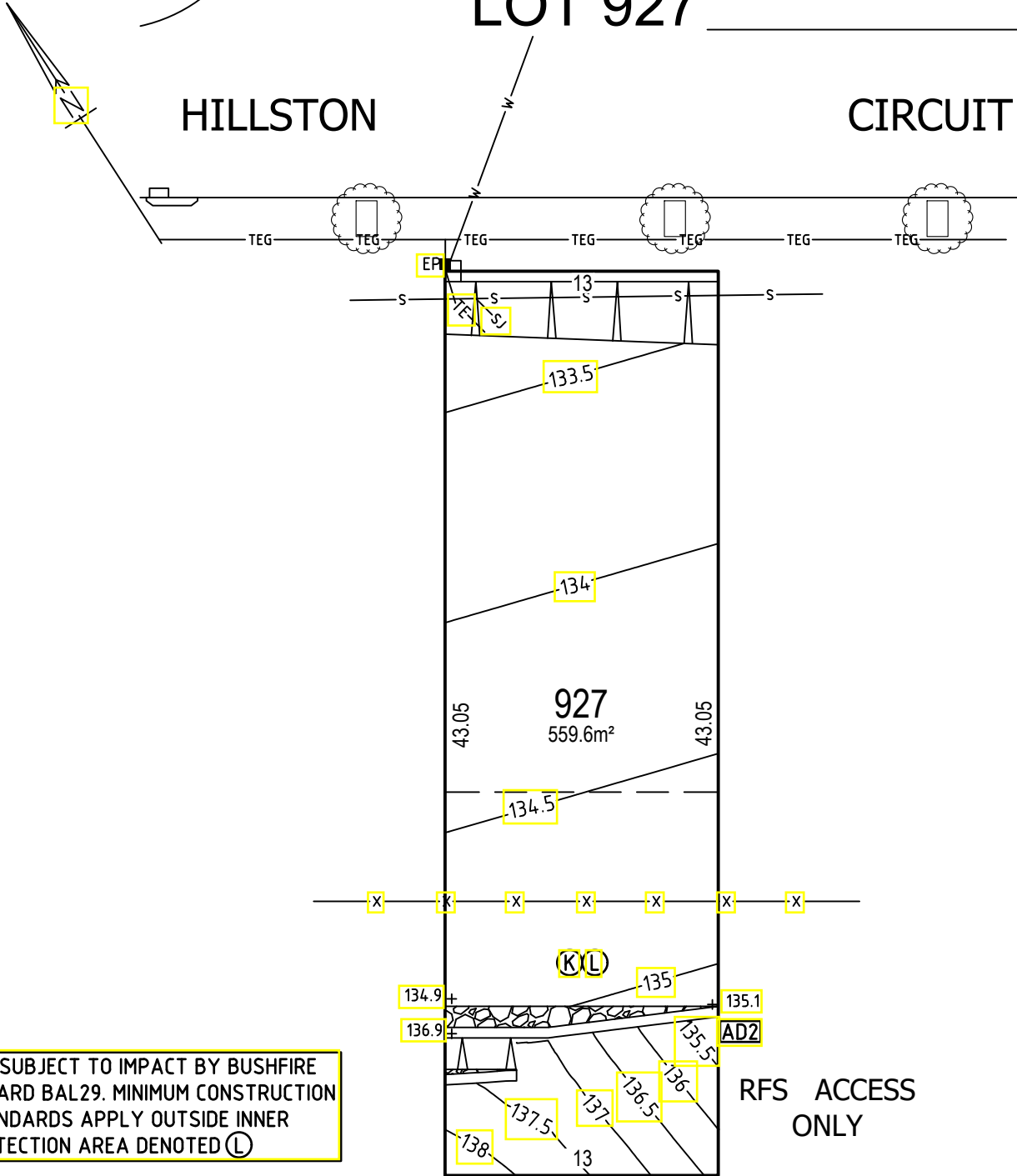


# GREGORY HILLS

## LOT 927

HILLSTON

CIRCUIT



LOT SUBJECT TO IMPACT BY BUSHFIRE HAZARD BAL29. MINIMUM CONSTRUCTION STANDARDS APPLY OUTSIDE INNER PROTECTION AREA DENOTED (L)

RFS ACCESS ONLY

### LEGEND

- TEG— ELECTRICITY, TELECOMMUNICATIONS & GAS
- TE— TELECOMMUNICATIONS & ELECTRICITY
- S— SEWER — SJ — SEWER JUNCTION — MS — MAINTENANCE SHAFT — O — MANHOLE
- W— WATER — \* — STOP VALVE — ● — HYDRANT
- SW— STORMWATER — □ — GRATED PIT & LINTEL
- 47— CONTOUR — +47.00 — POINT HEIGHT — ▲ — BATTER AT 1:6 (V:H) GRADE
- — ELP — ELECTRIC LIGHT POLE — ■ — EP — ELECTRICAL PILLAR — BAL — BUSHFIRE ATTACK LEVEL
- — COUNCIL STREET TREE SUBJECT TO LANDSCAPING DESIGN & COUNCIL APPROVAL TO BE LOCATED FOLLOWING DRIVEWAY CONSTRUCTION
- (K) RESTRICTION ON THE USE OF LAND
- (L) POSITIVE COVENANT
- AD1 - AD2 DENOTE RESTRICTION ON THE USE OF LAND (ACCESS DENIED)
- x- EXISTING DECOMMISSIONED SEWER TO REMAIN IN PLACE (>5m DEEP)

The material herein is intended as a guide only. No liability for negligence or otherwise is assumed by Dart West, its principals or its servants or its agents. No material contained herein shall form the basis of or be part of any agreement and no warranty is given or implied as to the accuracy of the whole or any part of the material. Prospective buyers should not rely solely on this material but should make their own enquiries at the Gregory Hills Land Sales and Information Centre or contact us on (02) 46485511.