

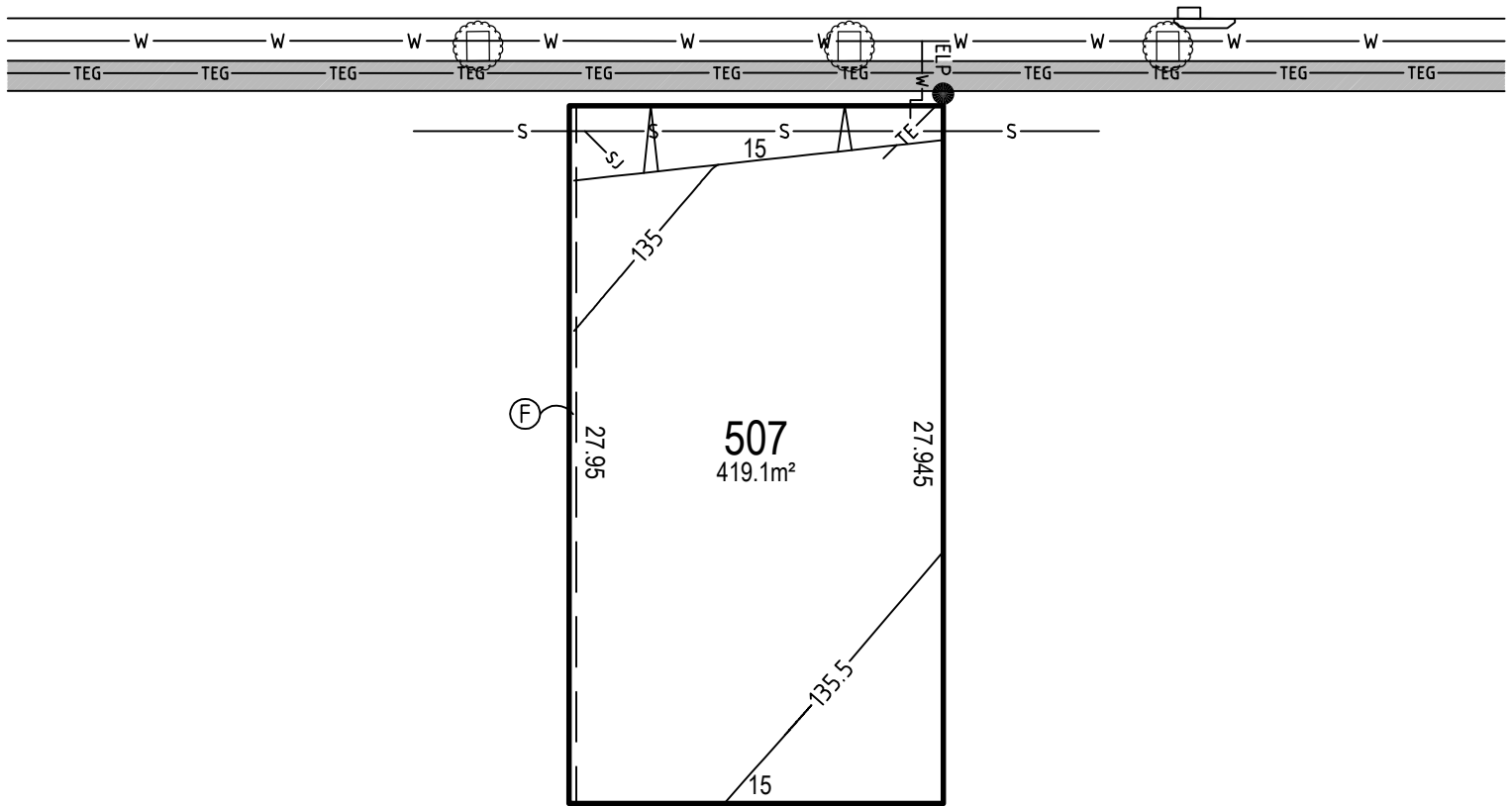
GREGORY HILLS

LOT 507



HILLSTON

CIRCUIT

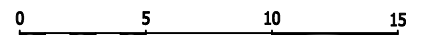


THE WHOLE OF LOT AFFECTED BY BAL-12.5

Ⓢ EASEMENT FOR SUPPORT 0.3 WIDE

LEGEND

- TEG— ELECTRICITY, TELECOMMUNICATIONS & GAS
- S— SEWER —SJ SEWER JUNCTION ○ MS MAINTENANCE SHAFT ○ SMH MANHOLE
- W— WATER
- SW— STORMWATER [] GRATED PIT & LINTEL
- 4.7— CONTOUR +100.00 POINT HEIGHT
- ELP ELECTRIC LIGHT POLE ■ EP ELECTRICAL PILLAR
- COUNCIL STREET TREE SUBJECT TO LANDSCAPING DESIGN & COUNCIL APPROVAL



The material herein is intended as a guide only. No liability for negligence or otherwise is assumed by Dart West, its principals or its servants or its agents. No material contained herein shall form the basis of or be part of any agreement and no warranty is given or implied as to the accuracy of the whole or any part of the material. Prospective buyers should not rely solely on this material but should make their own enquiries at the Gregory Hills Land Sales and Information Centre or contact us on (02) 46485511.